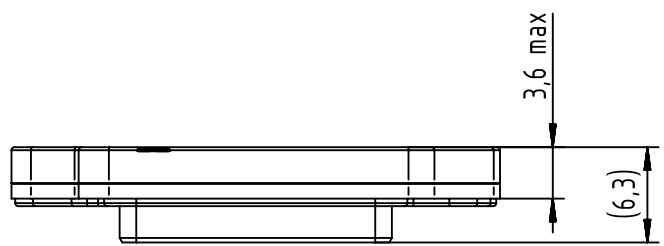
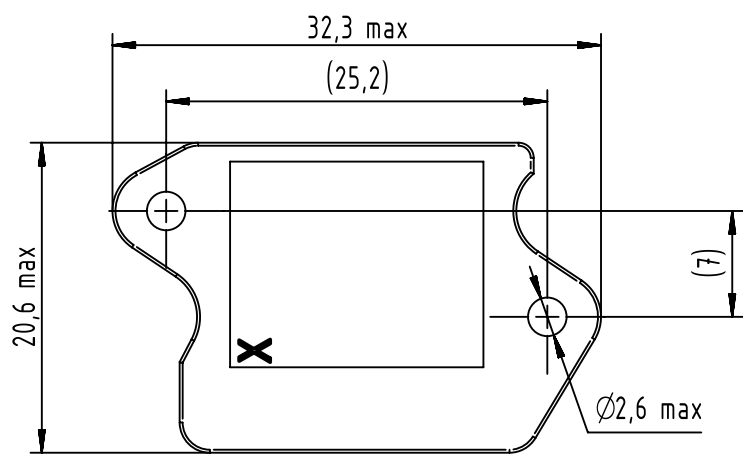


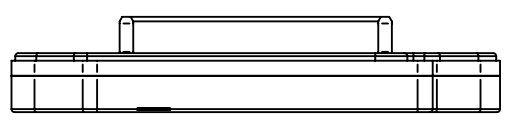
A



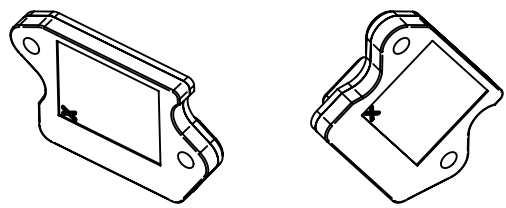
B



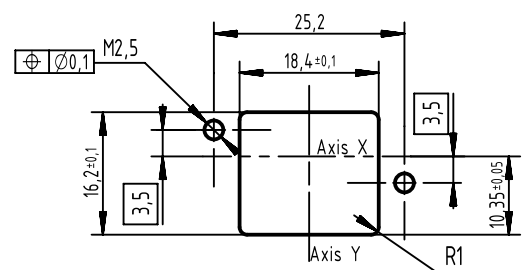
C



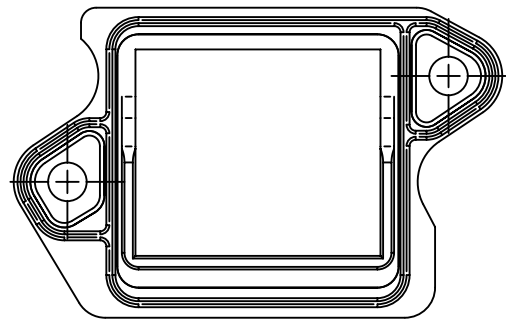
D



PANEL CUTTING



Connector pitches on panel:
 Axis X=27mm and Axis Y=21mm
 M2,5 screwing torque: 0,3 to 0,5Nm
 M2,5 screws threads MUST NOT go through the panel



	All rights reserved Department EC PD - FR	All Dimensions in mm Original Size DIN A4		Scale 2:1	Free size tol.	Ref.	
		HARTING Electronics GmbH D-32339 Espelkamp	Created by BARLEMONT	Inspected by DE VANSSAY	Standardisation HOFFMANN	Date 2014-10-27	State Final Release
		Title HPP V4 BLIND COVER IP65/67				Doc-Key / ECM-Nr. 100555244/UGD/002/B 500000081129	
		Type TB	Number 09458450019			Rev. B	Page 1/1